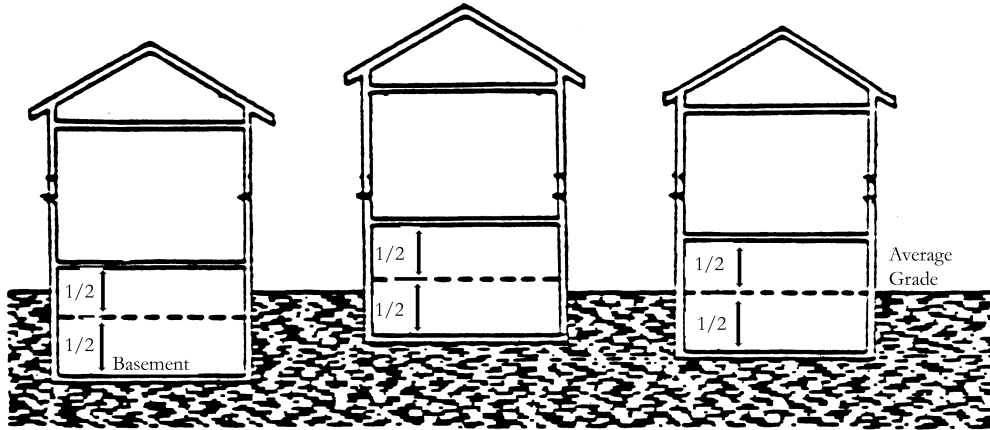
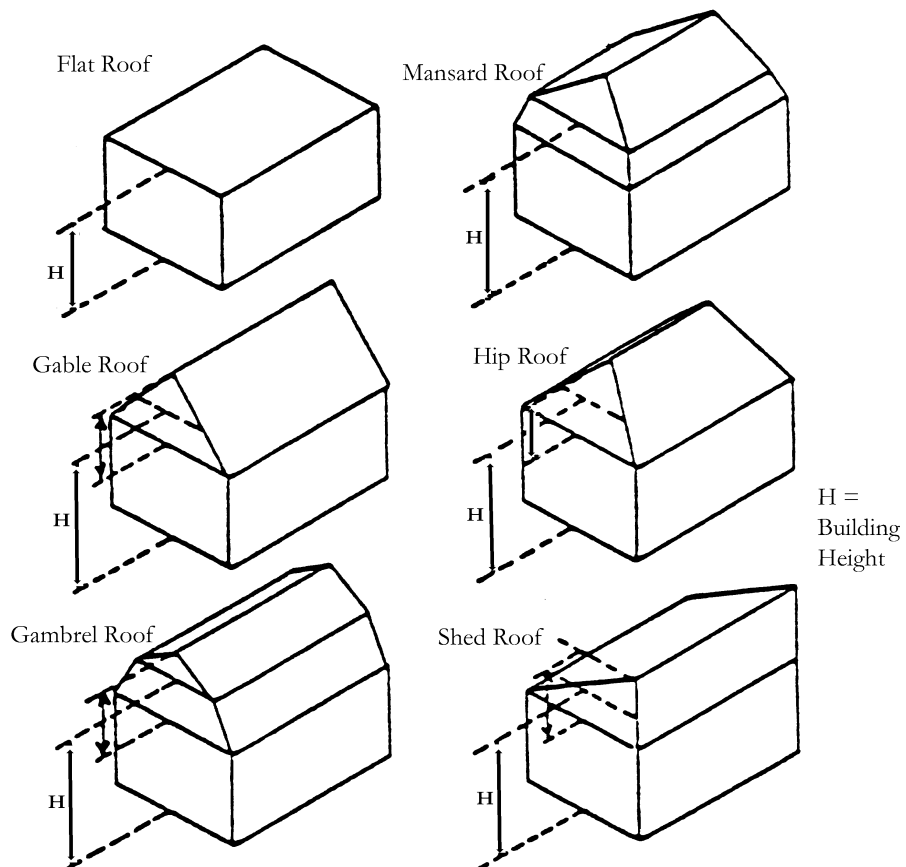


ILLUSTRATIONS

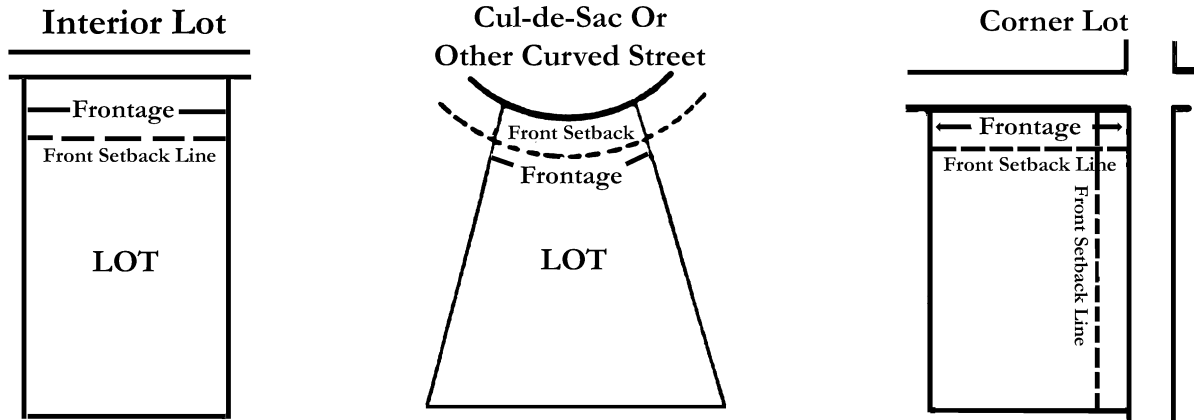
BASEMENT



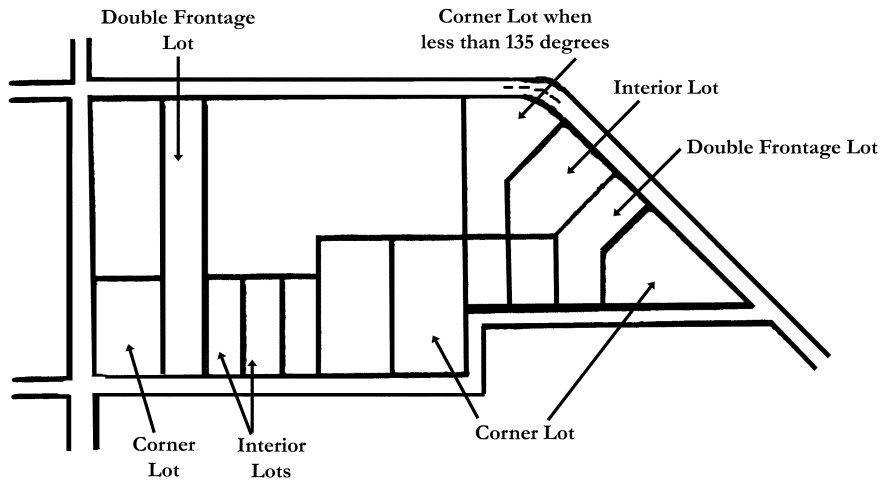
BUILDING HEIGHT



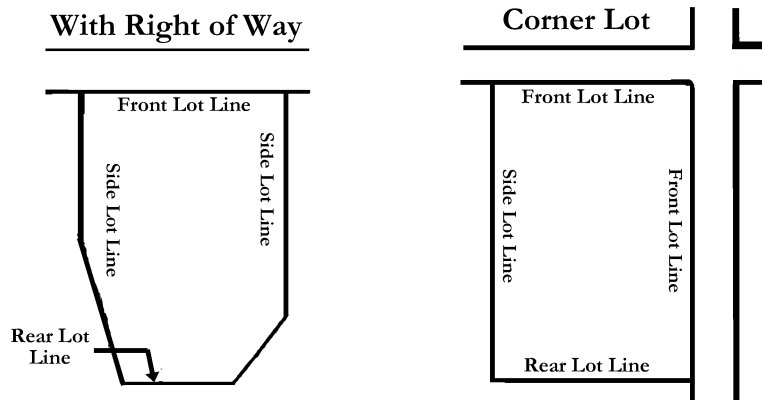
FRONTAGE



LOT TYPES



LOT LINES



SETBACK LINES

YARDS

FLOOD TERMS

